

Genetic variants of complement genes *Ficolin-2*, *Mannose-binding lectin* and *Complement factor H* are associated with leprosy in Han Chinese from Southwest China

Deng-Feng Zhang · Xian-Qiong Huang ·
Dong Wang · Yu-Ye Li · Yong-Gang Yao

Received: 3 December 2012 / Accepted: 5 February 2013 / Published online: 20 February 2013
© Springer-Verlag Berlin Heidelberg 2013

Abstract The complement system plays multiple roles in host defense against infection and is supposed to confer genetic susceptibility to leprosy. We aimed to examine whether genetic variants of the *Ficolin-2* (*FCN2*), *Mannose-binding lectin* (*MBL2*) and *Complement factor H* (*CFH*) genes, which are involved in activation and regulation of the complement system, are associated with leprosy in Han Chinese from Southwest China. 527 leprosy patients and 583 matched controls were recruited from Yunnan Province, China, and were analyzed in this study. We sequenced the promoter region of the *FCN2* and *MBL2* genes and exon 8 of the *FCN2* gene and genotyped three tag SNPs of the *CFH* gene. Association analysis was performed to discern potential effect of these three genes with leprosy and its subtypes. Luciferase assay was used to characterize the role of different promoter alleles of the *FCN2* and *MBL2* genes. Genetic variants of *FCN2* (rs3811140 and rs7851696), *MBL2* (rs11003125, rs7100749, rs11003124 and rs7096206) and

CFH (rs1065489 and rs3753395) were significantly associated with leprosy and its subtypes. Haplotypes/genotypes representing low *FCN2* and *MBL2* transcriptional activity conferred risk to paucibacillary leprosy. Our data confirmed the expected positive association of complement genes with leprosy susceptibility and clinical outcomes in Han Chinese.

Introduction

Leprosy is a chronic endemic infectious disease caused by intracellular pathogen *Mycobacterium leprae* that affects skin and nerves (Britton and Lockwood 2004). Its clinical form can be classified along a spectrum of five subtypes [tuberculoid (TT), borderline-tuberculoid (BT), mid-borderline leprosy (BB), borderline-lepromatous (BL), and lepromatous (LL)] from tuberculoid leprosy characterized by a strong Th1 cellular immunity to lepromatous leprosy characterized by a strong Th2 humoral immunity, or can be simply classified into two subtypes [paucibacillary (PB; includes TT and BT) and multibacillary (MB; includes BB, BL and LL)] according to the latest WHO case definition (Britton and Lockwood 2004). The causal agent *M. leprae*, which cannot be cultured in vitro, is conserved between strains and has an eroded genome (Cole et al. 2001). Susceptibility and clinical outcomes of leprosy are highly determined by host genetic background and immune status (Misch et al. 2010). Genetic polymorphisms of many genes such as toll-like receptors (Bochud et al. 2008; Wong et al. 2010), tumor necrosis factor-alpha (*TNF α*), mannose-binding lectin (*MBL2*), vitamin D receptor (*VDR*) (Sapkota et al. 2010) and *NOD2* (Zhang et al. 2009), to name a few, were reported to be associated with susceptibility to leprosy. For a more complete list of leprosy susceptible genes, one may refer to the Leprosy Susceptible Human Gene

Electronic supplementary material The online version of this article (doi:10.1007/s00439-013-1273-8) contains supplementary material, which is available to authorized users.

D.-F. Zhang · D. Wang · Y.-G. Yao (✉)
Key Laboratory of Animal Models and Human Disease
Mechanisms of the Chinese Academy of Sciences
and Yunnan Province, Kunming Institute of Zoology,
Kunming, Yunnan 650223, China
e-mail: ygyaozh@yahoo.com; ygyaozh@gmail.com

D.-F. Zhang · D. Wang
University of Chinese Academy of Sciences,
Beijing 100049, China

X.-Q. Huang · Y.-Y. Li
Department of Dermatology, The First Affiliated Hospital
of Kunming Medical University, Kunming, Yunnan 650032,
China

Database (LSHGD) (George Priya Doss et al. 2012). Therefore, leprosy is a good model for studying the genetic structure and etiopathogenesis of those infectious, inflammatory and autoimmune diseases (Misch et al. 2010).

The complement system plays multiple roles in host defense against infection. Activation of complement system results in opsonization of pathogens and immune complexes, recruitment of leukocytes, inflammation, and cell lysis (Ricklin et al. 2010). With up to 30 plasma and cell surface proteins, the complement system can be activated through three pathways. The classical pathway (CP) is initiated by antigen–antibody complexes followed by complement C1 activation (Cooper 1985). The lectin pathway (LP) is activated through recognition of certain pathogen surface by mannose-binding lectin (MBL) and ficolins (FCNs) (Endo et al. 2006). The alternative pathway is activated by C3 binding to microbial surfaces and to antibodies (Zipfel et al. 2007). These three activation pathways converge into a final common pathway when C3 convertase cleaves C3 into C3a and C3b, leading to the generation of opsonins, inflammatory peptides, and formation of the membrane attack complex (Ricklin et al. 2010). The involvement of complement system in leprosy has been noticed several decades ago (Saha and Chakraborty 1977; Saha et al. 1983). However, there are some controversies regarding the exact involvement and roles of the three complement pathways in leprosy (de Messias-Reason et al. 2007, 2009; Dornelles et al. 2006; Gomes et al. 2008; Saha and Chakraborty 1977; Saha et al. 1983).

The *Ficolin-2* (*FCN2*) gene and *Mannose-binding lectin* (*MBL2*) gene encode soluble pattern recognition molecules that bind to different pathogen-associated molecular patterns, such as carbohydrates and lipoteichoic acid, leading to pathogen phagocytosis and activation of complement through the lectin pathway (Garred et al. 2009, 2010). The *Complement factor H* (*CFH*) gene encodes a soluble protein with 20 short consensus repeats (SCR, Sushi domain) and has an essential role in the regulation of complement activation (Rodríguez de Córdoba et al. 2004). It functions as a cofactor in the inactivation of C3b by factor I, as well as increases the rate of dissociation of C3 and C5 convertases in the alternative pathway (Zipfel et al. 2007). In this study, we analyzed genetic variants of the *FCN2*, *MBL2* and *CFH* genes in 527 Han Chinese with leprosy and 583 matched controls from Yunnan, Southwest China, to investigate whether these two pathways are involved in leprosy. We showed evidence that these genes of both the lectin and alternative pathways confer genetic susceptibility to leprosy in Han Chinese.

Materials and methods

Subjects

Subjects recruited in this study were described in our recent studies (Li et al. 2011; Wang et al. 2012a). In brief, a total of 527 Han Chinese with leprosy (mean onset age 24.7 ± 12.3 years, containing 279 MB [109 LL, 145 BL and 25 BB] and 248 PB [175 TT and 73 BT]) and 583 healthy individuals (mean age 36.0 ± 15.5 years) were collected from Yunnan Province, Southwest China. Based on the comparison of matrilineal structure of the case and control populations, our samples were well matched and had no population stratification (Wang et al. 2012b). Informed consents conforming to the tenets of the Declaration of Helsinki were obtained from all participants prior to this study. The institutional review board of the Kunming Institute of Zoology approved this study.

Genotyping

Genomic DNA was extracted from whole blood by using the AxyPrep™ Blood Genomic DNA Miniprep Kit (Axygen, USA) following the manufacturer's instructions. We used both sequencing and PCR-RFLP to genotype potentially functional variants in the promoter region of the *FCN2* and *MBL2* gene, and the exon 8 of the *FCN2* gene, as well as three tag SNPs (rs3753394, rs3753395 and rs1065489) in the *CFH* gene. Purified PCR fragments were sequenced on ABI PRISM™ 3730xl DNA analyzer (Life Tech, Co. Ltd) using the BigDye® v3.1 dye terminator. For PCR-RFLP assay, PCR products were digested at 37 °C overnight with 1 U of *EcoRV* (for SNP rs3753394) and *DdeI* (for SNP rs1065489) (Fermentas, Thermo). Detailed information regarding the genotyped SNPs was listed in Table S1. Primers for genotyping were shown in Table S2. Quality control (QC) of our genotyping was performed by re-sequencing 5 % of total samples using both forward and reverse primers. Results of PCR-RFLP were verified by direct sequencing of 5 % of genotyped samples.

Haplotype analysis

Linkage disequilibrium (LD) plot of the three genes was constructed by Haploview 4.2 (Barrett et al. 2005). Haplotype reconstruction was conducted by PHASE 2.1 (Stephens et al. 2001). We further constructed the network of the *MBL2* haplotypes by program NETWORK 4.6.1.0 (Bandelt et al. 1999).

Luciferase reporter assay

We constructed luciferase reporter plasmids by cloning promoter regions of the *FCN2* and *MBL2* genes containing different alleles/haplotypes into pGL3-Basic vector (Promega, Madison City, WI, USA). All inserts were confirmed by direct sequencing. The primers and enzymes used for plasmid construction were shown in Table S2.

HEK293T and HeLa cells were used for transient transfection to discern the potential effect of the *FCN2* and *MBL2* promoter regions with different haplotypes and/or alleles. Dulbecco's modified Eagle's medium (DMEM; Invitrogen, Carlsbad City, CA, USA) supplemented with 10 % fetal bovine serum (FBS) was used in cell culture. Cells were seeded in a 24-well plate at a density of 1×10^5 per well 12 h before transfection. After overnight culture, cells were co-transfected with 0.5 μg of each reporter vector and 0.05 μg of *Renilla* luciferase pRL-TK plasmid (Promega) using the X-tremeGENE HP transfection reagent (Roche, Indianapolis City, IN, USA). All transfection assays were performed in triplicate wells. After 24 h, cells were harvested and detected for luciferase activity on GloMax 96 Luminometer (Promega) following the Dual-Luciferase Reporter Assay System technical manual (Promega).

Statistical analysis

Deviation from the Hardy–Weinberg equilibrium (HWE) was assessed for each variant by using the Chi-square test (1 *df*). Cases and controls were compared for difference of allele, genotype and haplotype frequencies. Potential association between certain variant(s) and leprosy (including subtypes) was estimated by using the unconditional logistic regression model, with an adjustment of gender. The global difference in haplotype distribution between the cases and controls was estimated by the Chi-square test. Individual haplotype comparison was conducted by the Fisher's exact test. All analyses were performed using SPSS 16.0 (SPSS Inc., Chicago, IL). Power calculations were performed by using the Quanto software (Gauderman 2002). Luciferase activity was compared by one-way ANOVA test with Tukey's post hoc tests using Prism 5 (GraphPad Software, San Diego, CA).

Results

Statistical power of the test

None of the genotyped SNPs showed any deviation from HWE in our control samples (a *P* value < 0.001 was regarded as a deviation from the HWE). We calculated the

statistical power for all variants that presented positive associations in this study. The power of these variants given their specific odd ratios was expected to be above 85 % (excluding rs11003124 with a value of 76 %) (Table S1).

Association of the *FCN2* variants with leprosy

Three SNPs (rs3124952, –986G/A; rs3124953, –602G/A; rs3811140, –557A/G) in the promoter region and two missense SNPs (rs17549193, c.707C>T, p.T236M; rs7851696, c.772G>T, p.A258S) in exon 8 of the *FCN2* gene were identified (Table S1). Polymorphisms of rs3124952, rs3124953 and rs17549193 presented no association with leprosy. However, genotype GG of rs3811140 (OR = 2.227, 95 % CI = 1.083–4.587, *P* = 0.029) and genotype TT of rs7851696 (OR = 2.342, 95 % CI = 1.151–4.762, *P* = 0.019) were significantly associated with PB (Tables 1 and S3).

None of the five *FCN2* SNPs were tightly linked according to the linkage disequilibrium (LD) structure (Fig. 1). Six haplotypes were reconstructed for the *FCN2* promoter SNPs, which presented a significant global difference between leprosy patients and controls (*P* = 0.027). Major haplotype GGA and rare haplotype GAA showed a protective effect but the *P* values were marginally significant (Table 2). When the two nonsynonymous SNPs in exon 8 of the *FCN2* gene were considered, haplotype GGACG (which has the highest frequency) conferred a protective effect against leprosy (OR = 0.789, 95 % CI = 0.661–0.943, *P* = 0.010) and PB subtype (OR = 0.746, 95 % CI = 0.598–0.932, *P* = 0.011). Note that these positive associations disappeared after Bonferroni correction (Tables 2 and S4).

We constructed luciferase reporter vectors containing four major *FCN2* promoter haplotypes (GGA, AGA, AAA and GGG) and transfected HEK293T and HeLa cells. Compared with haplotype GGA which has the highest frequency (0.74 in control population), haplotypes GGG and AGA had significantly lower transcriptional activity, whereas AAA had the highest activity, suggesting that these promoter haplotypes/alleles affected *FCN2* expression (Fig. 2).

Association of the *MBL2* variants with leprosy

We identified nine genetic variants (rs11003125, –619G/C; rs7100749, –504G/A; rs11003124, –496A/C; rs7084554, –418A/G; rs36014597, –405A/G; rs45560739, –391del-AGAGAA; rs7096206, –290G/C; rs11003123, –139C/T; rs7095891, –66C/T) in promoter region of the *MBL2* gene (Table S1). Complete linkage disequilibrium was observed at two regions: rs11003124 is linked with rs7084554,

Table 1 Positively associated SNPs in the *FCN2*, *MBL2* and *CFH* genes between leprosy patients and healthy controls

SNP	Genotype	Leprosy versus control ^a				MB versus control ^a			PB versus control ^a		
		No. (%)	No. (%)	OR (95 % CI)	P value	No. (%)	OR (95 % CI)	P value	No. (%)	OR (95 % CI)	P value
<i>FCN2</i> gene											
rs3811140	AA	403 (69.6)	351 (66.6)	1.000 (reference)	–	–	1.000 (reference)	–	166 (66.9)	1.000 (reference)	–
	AG	160 (27.6)	150 (28.5)	1.078 (0.825–1.406)	0.585	84 (30.1)	1.149 (0.836–1.580)	0.391	66 (26.6)	0.993 (0.706–1.397)	0.967
	GG	16 (2.8)	26 (4.9)	1.757 (0.925–3.344)	0.085	10 (3.6)	1.300 (0.577–2.933)	0.526	16 (6.5)	2.227 (1.083–4.587)	0.029
A	A	966 (83.4)	852 (80.8)	1.000 (reference)	–	–	1.000 (reference)	–	398 (80.2)	1.000 (reference)	–
	G	192 (16.6)	202 (19.2)	1.178 (0.946–1.468)	0.142	104 (18.6)	1.147 (0.880–1.495)	0.310	98 (19.8)	1.209 (0.921–1.585)	0.171
rs7851696	GG	397 (68.4)	347 (65.8)	1.000 (reference)	–	–	1.000 (reference)	–	165 (66.5)	1.000 (reference)	–
	GT	167 (28.8)	153 (29.0)	1.052 (0.808–1.370)	0.708	87 (31.2)	1.138 (0.831–1.558)	0.420	66 (26.6)	0.949 (0.675–1.333)	0.761
	TT	16 (2.8)	27 (5.1)	1.815 (0.960–3.436)	0.067	10 (3.6)	1.323 (0.587–2.985)	0.499	17 (6.9)	2.342 (1.151–4.762)	0.019
	G	961 (82.8)	847 (80.4)	1.000 (reference)	–	–	1.000 (reference)	–	396 (79.8)	1.000 (reference)	–
T	199 (17.2)	207 (19.6)	1.168 (0.940–1.451)	0.161	107 (19.2)	1.142 (0.879–1.481)	0.323	100 (20.2)	1.209 (0.912–1.563)	0.196	
<i>MBL2</i> gene											
rs11003125	CC	139 (23.9)	151 (28.6)	1.000 (reference)	–	–	1.000 (reference)	–	67 (27.0)	1.000 (reference)	–
	GC	314 (54.0)	258 (49.0)	0.758 (0.570–1.008)	0.057	130 (46.6)	0.687 (0.489–0.966)	0.031	128 (51.6)	0.839 (0.586–1.202)	0.338
	GG	129 (22.1)	118 (22.4)	0.833 (0.592–1.172)	0.295	65 (23.3)	0.835 (0.557–1.253)	0.384	53 (21.4)	0.832 (0.538–1.287)	0.409
	C	592 (50.9)	560 (53.1)	1.000 (reference)	–	–	1.000 (reference)	–	262 (52.8)	1.000 (reference)	–
	G	572 (49.1)	494 (46.9)	0.908 (0.768–1.074)	0.263	260 (46.6)	0.904 (0.737–1.107)	0.330	234 (47.2)	0.914 (0.740–1.130)	0.407
rs7100749	GG	496 (85.2)	461 (87.6)	1.000 (reference)	–	–	1.000 (reference)	–	226 (91.5)	1.000 (reference)	–
	GA	85 (14.6)	57 (10.8)	0.721 (0.503–1.034)	0.076	39 (14.0)	0.962 (0.637–1.451)	0.852	18 (7.3)	0.458 (0.268–0.782)	0.004
	AA	1 (0.2)	8 (1.6)	7.874 (0.974–62.500)	0.053	5 (1.8)	9.091 (1.056–76.923)	0.044	3 (1.2)	6.410 (0.657–62.500)	0.110
	G	1077 (92.5)	979 (93.1)	1.000 (reference)	–	–	1.000 (reference)	–	470 (95.1)	1.000 (reference)	–
	A	87 (7.5)	73 (6.9)	0.914 (0.660–1.264)	0.586	49 (8.8)	1.171 (0.810–1.689)	0.401	24 (4.9)	0.623 (0.391–0.994)	0.047
rs11003124	AA	456 (78.3)	379 (71.9)	1.000 (reference)	–	–	1.000 (reference)	–	180 (72.6)	1.000 (reference)	–
	AC	114 (19.6)	128 (24.3)	1.357 (1.016–1.812)	0.038	68 (24.4)	1.361 (0.963–1.923)	0.080	60 (24.2)	1.340 (0.936–1.919)	0.110
	CC	12 (2.1)	20 (3.8)	1.916 (0.921–3.984)	0.082	12 (4.3)	2.252 (0.991–5.128)	0.053	8 (3.2)	1.621 (0.648–4.049)	0.302
	A	1026 (88.1)	886 (84.1)	1.000 (reference)	–	–	1.000 (reference)	–	420 (84.7)	1.000 (reference)	–
	C	138 (11.9)	527 (15.9)	1.401 (1.098–1.789)	0.007	92 (16.5)	1.458 (1.094–1.942)	0.010	76 (15.3)	1.340 (0.989–1.818)	0.059

Table 1 continued

SNP	Genotype	Leprosy versus control ^a				MB versus control ^a			PB versus control ^a		
		No. (%)	No. (%)	OR (95 % CI)	<i>P</i> value	No. (%)	OR (95 % CI)	<i>P</i> value	No. (%)	OR (95 % CI)	<i>P</i> value
rs7096206	GG	398 (68.4)	357 (67.7)	1.000 (reference)	–	–	1.000 (reference)	–	152 (61.3)	1.000 (reference)	–
	GC	153 (26.3)	142 (27.0)	1.026 (0.782–1.346)	0.854	59 (21.1)	0.739 (0.522–1.044)	0.086	83 (33.5)	1.416 (1.020–1.969)	0.038
	CC	31 (5.3)	28 (5.3)	0.986 (0.578–1.684)	0.959	15 (5.4)	0.929 (0.489–1.767)	0.823	13 (5.2)	1.044 (0.530–2.058)	0.901
	G	949 (81.5)	856 (81.2)	1.000 (reference)	–	–	1.000 (reference)	–	387 (78.0)	1.000 (reference)	–
	C	215 (18.5)	198 (18.8)	1.010 (0.814–1.253)	0.927	89 (15.9)	0.829 (0.631–1.088)	0.176	109 (22.0)	1.224 (0.943–1.590)	0.128
<i>CFH</i> gene											
rs3753395	AA	197 (36.2)	240 (45.6)	1.000 (reference)	–	129 (46.2)	1.000 (reference)	–	111 (44.9)	1.000 (reference)	–
	AT	278 (51.1)	218 (41.4)	0.656 (0.506–0.852)	0.002	117 (41.9)	0.650 (0.476–0.887)	0.007	101 (40.9)	0.656 (0.473–0.911)	0.012
	TT	69 (12.7)	68 (12.9)	0.804 (0.546–1.183)	0.268	33 (11.8)	0.720 (0.449–1.155)	0.173	35 (14.2)	0.878 (0.548–1.407)	0.203
	A	672 (61.8)	698 (66.3)	1.000 (reference)	–	375 (67.2)	1.000 (reference)	–	323 (65.4)	1.000 (reference)	–
	T	416 (38.2)	354 (33.7)	0.822 (0.688–0.982)	0.031	183 (32.8)	0.787 (0.634–0.976)	0.030	171 (34.6)	0.851 (0.681–1.065)	0.158
rs1065489	GG	145 (25.1)	164 (32.0)	1.000 (reference)	–	83 (30.6)	1.000 (reference)	–	81 (33.5)	1.000 (reference)	–
	GT	309 (53.6)	251 (48.9)	0.709 (0.536–0.939)	0.016	138 (50.9)	0.777 (0.554–1.089)	0.143	113 (46.7)	0.644 (0.454–0.913)	0.014
	TT	123 (21.3)	98 (19.1)	0.707 (0.498–1.003)	0.052	50 (18.5)	0.727 (0.474–1.115)	0.145	48 (19.8)	0.710 (0.460–1.096)	0.203
	G	599 (51.9)	579 (56.4)	1.000 (reference)	–	304 (56.1)	1.000 (reference)	–	275 (56.8)	1.000 (reference)	–
	T	555 (48.1)	447 (43.6)	0.834 (0.703–0.988)	0.036	238 (43.9)	0.854 (0.694–1.049)	0.132	209 (43.2)	0.825 (0.666–1.024)	0.081

P values < 0.05 were marked in bold. Considering multiple testing correction, a more stringent cut-off *P* value was set as 0.006 (0.05/8, Bonferroni correction) for the data set. SNPs rs7100749 of *MBL2* and rs3753395 of *CFH* remain significant after the stringent Bonferroni correction. The other SNPs that showed no association with leprosy per se and/or its subtypes were listed in Table S3

MB multibacillary leprosy, *PB* paucibacillary leprosy

^a All data were calculated by using the unconditional logistic regression, with an adjustment for gender. The major allele of each SNP was selected as the reference

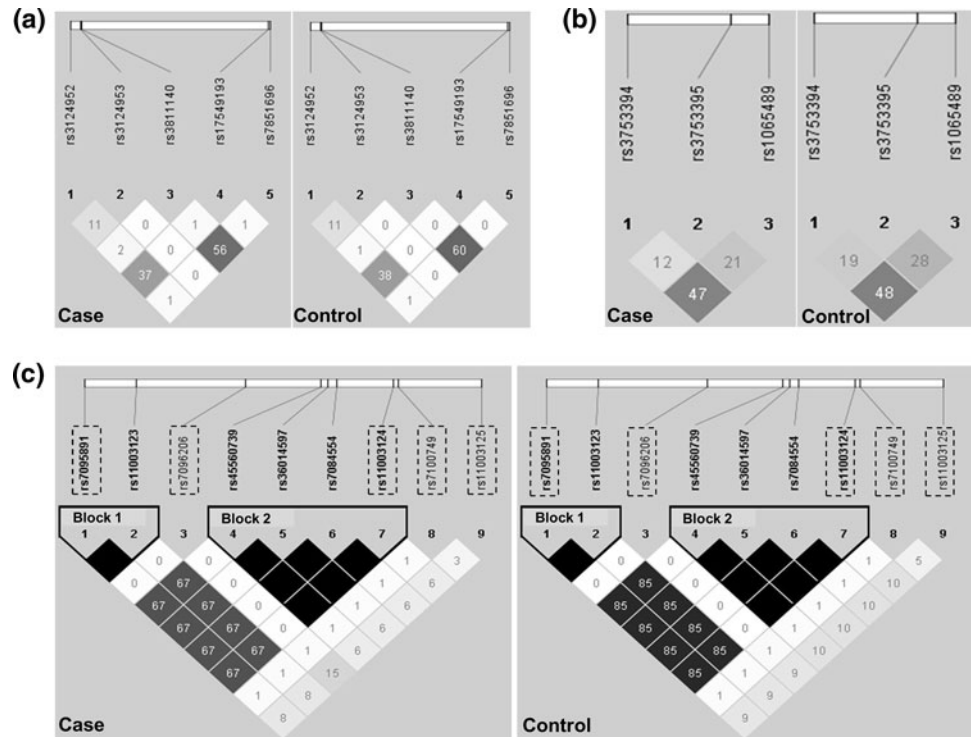
rs36014597 and rs45560739; and rs11003123 is linked with rs7095891 (Fig. 1). Therefore, only five SNPs (rs11003125, rs7100749, rs11003124, rs7096206 and rs7095891) were chosen for subsequent comparison and haplotype reconstruction.

All variants except for rs7095891 showed positive associations with leprosy or its subtypes (Tables 1 and S3). Genotype GC of rs11003125 showed a significant protective effect on MB patients (OR = 0.687, 95 % CI = 0.489–0.966, *P* = 0.031), while genotype GC of rs7096206 conferred a risk to PB (OR = 1.416, 95 % CI = 1.020–1.969, *P* = 0.038). Genotypes AA and GA of rs7100749 had different effects on leprosy subtypes [AA conferred a risk to MB (OR = 9.091, 95 % CI = 1.056–76.923, *P* = 0.044), GA had a protective effect against PB (OR = 0.458, 95 % CI = 0.268–0.782, *P* = 0.004)]. Minor allele C of rs11003124 conferred a risk to

both leprosy per se (*P* = 0.007) and MB (*P* = 0.01) (Table 1).

Previous reports showed that circulating level of MBL was associated with genetic variants in exon 1 [rs5030737 (p.R52C), rs1800450 (p.G54D) and rs1800451 (p.G57E), known as D, B and C alleles, respectively] and the promoter region [rs11003125 (–619G/C), rs7096206 (–290G/C) and rs7095891 (–66C/T), known as H/L, Y/X and P/Q variants, respectively] (Madsen et al. 1994, 1995). Those SNPs formed the MBL “secretor” region (Garred et al. 2006; Madsen et al. 1998). We reconstructed the haplotypes based on the three promoter “secretor” SNPs. Distribution of the eight “secretor” haplotypes was significantly different between patients and controls (for leprosy per se, global *P* value = 0.025; for PB, global *P* value = 0.012) (Table 2). Haplotype CCC (LXP)

Fig. 1 The linkage disequilibrium (LD) structures of the *FCN2* gene (a), the *CFH* gene (b) and the *MBL2* gene (c) in leprosy patients and healthy controls. Results were performed based on the data obtained in this study. r^2 was used for the LD color scheme. *Black squares* represent high LD as measured by r^2 , gradually coloring down to *white squares* of low LD. The individual square showed the $100 \times r^2$ value for each SNP pair. For the *MBL2* gene, complete linkage disequilibrium was observed for block 1 containing rs11003123 and rs7095891 and block 2 containing rs11003124, rs7084554, rs36014597 and rs45560739. The five SNPs highlighted by *dashed* frame were chosen for subsequent analysis



showed a risk (OR = 1.482, 95 % CI = 1.135–1.936, $P = 0.004$) while CGC (LYP) conferred a protective effect (OR = 0.764, 95 % CI = 0.593–0.984, $P = 0.039$) in PB patients compared with controls. Comparison between MB and PB patients showed that haplotype CCC (LXP, 0.21 in PB and 0.12 in MB) was over-presented in PB ($P < 0.001$), whereas haplotype CGC (LYP, 0.20 in PB and 0.27 in MB) was over-presented in MB patients ($P = 0.011$). Distribution of haplotypes defined by all five *MBL2* promoter SNPs was significantly different in patients compared with controls (global P value < 0.001) (Table S4).

We constructed luciferase reporter vectors containing four major *MBL2* “secretor” haplotypes GGC (HYP), CGC (LYP), CCC (LXP) and CCT (LXQ) and measured their relative promoter activity in HEK293T and HeLa cells. We found that truncated promoter fragment (without exon 1) had no transcriptional activity. The prevalent haplotype GGC (HYP) had the highest transcriptional activity, whereas CGC (LYP) and CCT (LXQ) had a medium transcriptional activity. The PB risk haplotype CCC (LXP) had a significantly lower promoter activity than the other three haplotypes, indicating potential MBL deficiency (Fig. 2).

We made a network for all “secretor” haplotypes to infer their evolutionary relationship. Ancestral haplotype LYP (CGC) was inferred based on the *MBL2* gene sequences of Chimpanzee, Gorilla, Macaque and Gibbon retrieved from Ensembl (Fig. 3). These “secretor” haplotypes with higher or lower promoter activity were evolved

from LYP with a medium activity. The derived haplotype HYP (GGC; with a high promoter activity and the highest frequency) might have an advantageous effect. Haplotype LXP (CCC; with a low activity) had a deleterious effect, as it was significantly over-presented in PB patients (0.211) versus controls (0.153). Distribution of the “secretor” haplotypes in leprosy per se or MB patients showed a similar profile compared with controls (Fig. 3).

Association of *CFH* Tag SNPs with leprosy

Among the analyzed tag SNPs (rs3753394, near gene-5'; rs3753395 in intron 12; rs1065489, c.2808G>T, p.E936D) of the *CFH* gene, two SNPs (rs1065489 and rs3753395) showed positive associations with leprosy (Tables 1 and S3). Genotype GT of rs1065489 was significantly associated with leprosy per se ($P = 0.016$) and PB ($P = 0.014$). Allele T of rs1065489 conferred a protective effect (OR = 0.834, 95 % CI = 0.703–0.988, $P = 0.036$) against leprosy. Genotype AT of rs3753395 was significantly associated with leprosy ($P = 0.002$) and its subtypes. Minor allele T of rs3753395 conferred a protective effect against leprosy (OR = 0.822, 95 % CI = 0.688–0.982, $P = 0.031$) and MB (OR = 0.787, 95 % CI = 0.634–0.976, $P = 0.030$) (Tables 1 and S3).

LD structure showed that these *CFH* SNPs were in weak linkage (Fig. 1). Distribution of haplotypes (rs3753394–rs3753395–rs1065489) was significantly different between patients and controls (for leprosy per se, global

Table 2 Distribution of the *FCN2*, *MBL2* and *CFH* haplotypes in leprosy patients and healthy controls

Haplotype	Control		Leprosy versus control*		MB versus control*		PB versus control*		MB versus PB*			
	No.	No.	OR (95 % CI)	<i>P</i> value	No.	OR (95 % CI)	<i>P</i> value	No.	OR (95 % CI)	<i>P</i> value	OR (95 % CI)	<i>P</i> value
<i>MBL2</i> “secretor” haplotypes ^d												
HYP (GGC)	543	478	0.952 (0.806–1.125)	0.579	251	0.960 (0.783–1.176)	0.717	227	0.944 (0.765–1.164)	0.593	1.017 (0.798–1.297)	0.902
LYP (CGC)	294	253	0.937 (0.772–1.137)	0.522	150	1.109 (0.882–1.396)	0.376	103	0.764 (0.593–0.984)	0.039	1.453 (1.091–1.935)	0.011
LXP (CCC)	178	172	1.082 (0.861–1.360)	0.521	66	0.756 (0.558–1.022)	0.076	106	1.482 (1.135–1.936)	0.004	0.510 (0.365–0.712)	0.000
LYQ (CGT)	109	117	1.211 (0.919–1.595)	0.182	64	1.274 (0.929–1.767)	0.145	53	1.142 (0.808–1.615)	0.471	1.116 (0.759–1.641)	0.624
LXQ (CCT)	12	18	1.671 (0.801–3.485)	0.198	11	1.959 (0.859–4.468)	0.117	7	1.357 (0.531–3.468)	0.615	1.443 (0.555–3.753)	0.485
HXP (GCC)	15	8	0.587 (0.248–1.390)	0.294	5	0.703 (0.254–1.943)	0.632	3	1.393 (0.332–5.852)	0.704	1.526 (0.363–6.419)	0.728
HXQ (GCT)	10	0	–	–	0	–	–	0	–	–	–	–
HYQ (GCT)	5	8	1.776 (0.579–5.446)	0.406	4	1.698 (0.454–6.348)	0.480	4	0.615 (0.203–1.863)	0.461	0.912 (0.227–3.667)	1.000
Global	–	–	–	0.025	–	–	0.054	–	–	0.012	–	–
<i>FCN2</i> promoter haplotypes												
GGA	861	737	0.823 (0.684–0.991)	0.041	395	0.858 (0.686–1.074)	0.184	342	0.787 (0.624–0.990)	0.047	1.091 (0.838–1.420)	0.545
GGG	192	200	1.188 (0.955–1.478)	0.132	103	1.148 (0.882–1.195)	0.306	97	1.233 (0.940–1.616)	0.137	0.931 (0.684–1.267)	0.694
AGA	81	94	1.312 (0.962–1.788)	0.097	48	1.261 (0.869–1.829)	0.240	46	1.369 (0.938–1.999)	0.107	0.921 (0.603–1.407)	0.746
AAA	22	19	0.955 (0.514–1.774)	1.000	11	1.046 (0.503–2.172)	1.000	8	0.852 (0.377–1.928)	0.841	1.227 (0.489–3.075)	0.818
GAA	10	2	0.220 (0.048–1.005)	0.040	0	–	–	2	0.468 (0.102–2.144)	0.527	0.470 (0.440–0.501)	0.221
GAG	0	2	–	0.225	1	–	0.324	1	–	0.298	0.889 (0.055–14.246)	1.000
Global	–	–	–	0.027	–	–	0.086	–	–	0.108	–	–
<i>CFH</i> haplotypes												
TAT	474	412	0.937 (0.790–1.111)	0.453	222	0.959 (0.781–1.178)	0.689	190	0.912 (0.735–1.132)	0.405	1.051 (0.820–1.347)	0.705
CTG	340	272	0.845 (0.701–1.019)	0.077	144	0.841 (0.670–1.056)	0.136	128	0.850 (0.670–1.078)	0.179	0.990 (0.751–1.305)	0.944
CAG	150	191	1.499 (1.188–1.891)	0.0006	103	1.527 (1.161–2.008)	0.002	88	1.468 (1.102–1.957)	0.008	1.040 (0.759–1.424)	0.811
TAG	62	64	1.151 (0.803–1.649)	0.443	30	1.008 (0.644–1.578)	0.972	34	1.316 (0.855–2.028)	0.212	0.766 (0.461–1.271)	0.305
TTG	51	52	1.135 (0.764–1.685)	0.531	28	1.151 (0.717–1.846)	0.56	24	1.116 (0.679–1.835)	0.664	1.031 (0.589–1.803)	1.000
CAT	41	32	0.859 (0.537–1.375)	0.526	22	1.122 (0.662–1.903)	0.669	10	0.567 (0.282–1.141)	0.107	1.979 (0.928–4.222)	0.104
TTT	36	28	0.857 (0.519–1.414)	0.544	11	0.629 (0.318–1.245)	0.179	17	1.119 (0.622–2.011)	0.708	0.562 (0.261–1.212)	0.179
CTT	12	3	0.275 (0.077–0.975)	0.032	0	–	–	3	0.588 (0.165–2.091)	0.406	–	–
Global	–	–	–	0.009	–	–	0.014	–	–	0.082	–	–

MB multibacillary leprosy, *PB* paucibacillary leprosy

* *P* values were shown for the Fisher's exact test. Person's Chi-square test was used for estimating global *P* value. *P* values < 0.05 were marked in bold

^a The “secretor” haplotypes were named based on conventional nomenclature (H/L, Y/X, P/Q) with annotation (cf. Table 1). SNPs rs11003125, rs7096206 and rs7095891 were used for haplotype construction. Haplotypes represented by the nucleotide changes of the three SNPs were included in the parentheses

P value = 0.009; for MB, global *P* value = 0.014). Haplotype CAG harboring both major alleles of rs3753395 and rs1065489 showed a strong risk to leprosy (for leprosy

per se, OR = 1.499, 95 % CI = 1.188–1.891, *P* = 0.0006; for MB, OR = 1.527, 95 % CI = 1.161–2.008, *P* = 0.002; for PB, OR = 1.468, 95 % CI = 1.102–1.957, *P* = 0.008),

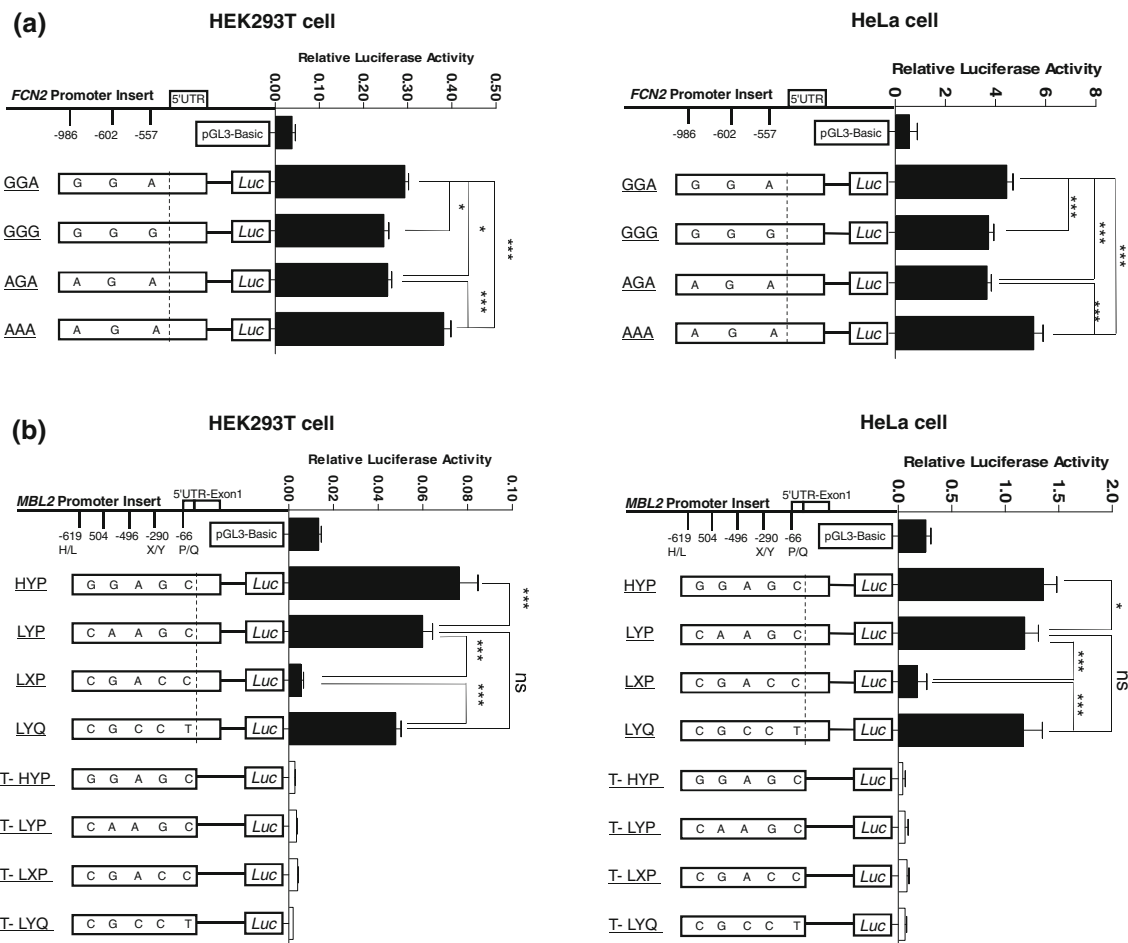


Fig. 2 Luciferase assay for promoter fragments with different haplotypes and/or alleles of the *FCN2* gene (a) and the *MBL2* gene (b). HEK293T and HeLa cells were used for transfection. All assays were performed in triplicates for HEK293T. Shown are representative of eight (for the *FCN2* gene) and four (for the *MBL2* gene)

independent experiments. Replication of the results on HeLa cells were performed in quadruplicate. Shown are representative of two independent experiments. One-way ANOVA test with Tukey's post hoc tests were used for comparison. * $P < 0.05$, **** $P < 0.0001$, ns not significant

while haplotype CTT conferred a weak protective effect on leprosy per se ($P = 0.032$) and MB ($P = 0.016$) (Table 2).

Discussion

Leprosy is considered as a genetic disease (Alter et al. 2011) and can be used as a good model to study the innate immune response to intracellular infection (Modlin 2010). The *M. leprae* cell surface is rich in 6-lipoarabinomannan (LAM), a mannose-containing carbohydrate (Sato and Imi 1968), thus had a binding potential to ficolin-2 and MBL. It has been shown that normal ficolin-2 level confers protection against leprosy and low MBL level confers a protective effect against LL in Brazilian patients (de Messias-Reason et al. 2007, 2009), while Dornelles et al. (2006) reported that deficiency of MBL had a protective

effect on MB. Serum level of ficolin-2 was associated with genetic variants in the promoter and exon 8 of this gene (Hummelshoj et al. 2005). Genetic variants in the promoter and exon 1 of the *MBL2* gene were also reported to have a significant effect on its circulating level (Garred et al. 2006). Functional genetic variants of these two genes have also been identified as the cause of many common immunodeficiency and infectious diseases (Dommett et al. 2006; Faik et al. 2011). The *CFH* gene has an essential role in regulation of the alternative pathway (Rodríguez de Córdoba et al. 2004). Genetic variants in the *CFH* gene have been reported to be associated with many diseases (Caprioli et al. 2003; Thakkinstian et al. 2006). Recently, genome-wide association study showed that *CFH* gene variants were associated with host susceptibility to meningococcal disease (Davila et al. 2010).

It was reported that the complement system assists the immune escape of intracellular mycobacteria, such as

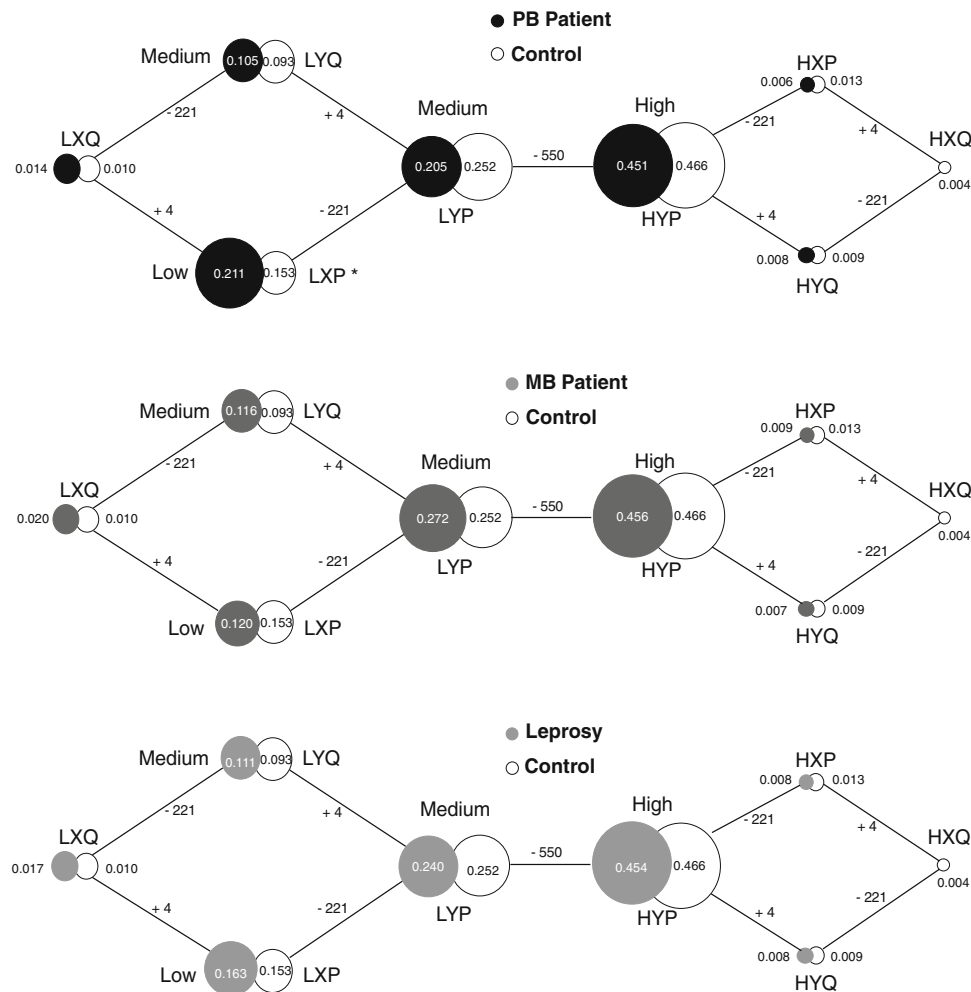


Fig. 3 Network analysis of promoter “secretor” haplotypes of the *MBL2* gene in patients with leprosy and healthy controls. The numbers inside or outside the circles referred to the frequency of the haplotype in case and control populations. High, Medium and Low indicate the promoter activity of the four major determined haplotypes based on the luciferase assay. The “secretor” haplotypes were defined by rs11003125 (−619G/C, −550H/L), rs7096206 (−290G/C, −221Y/X) and rs7095891 (−66C/T, +4P/Q) and were named according to conventional nomenclature (HYP/GGC, LYP/CGC, LXP/CCC, LYQ/CGT, LXQ/CCT, HXP/GCC, HXQ/GCT, HYQ/

GGT; see Table S1). Numbers on the branches “+4”, “−221”, “−550” indicate the SNPs +4P/Q, −221Y/X and −550H/L, respectively. Haplotype LXP in PB patients was the positively associated haplotype and was marked with asterisk. Ancestral haplotype LYP (ENSG00000165471) was inferred by comparison to chimpanzee (CTC; ENSPTRG00000002512), gorilla (CGC/LYP; ENSGOG00000009057), macaque (CGC/LYP; ENSMMUG00000019110) and gibbon (CGC/LYP; ENSNLEG00000012005) from Ensembl (<http://asia.ensembl.org/index.html>)

M. tuberculosis and *Mycobacterium bovis* BCG, by binding of C3 to the mycobacteria through the classical, alternative or lectin pathway (Carroll et al. 2009; Ferguson et al. 2004; Rooijackers and van Strijp 2007). However, whether all three complement pathways were involved in leprosy remains controversial. In this study, we genotyped functional and/or tag SNPs of the *FCN2*, *MBL2* and *CFH* genes in Han Chinese patients with leprosy from Yunnan, China, followed by experimental validation. We identified positive associations of genetic variants in these three genes with leprosy and its subtypes (Tables 1, 2), providing evidence for an active involvement of both lectin pathway and alternative pathway in leprosy.

Both genotypes GG of rs3811140 (representing a low serum ficolin-2 level) and TT of rs7851696 in the *FCN2* gene showed a significant risk to PB in our study. Munthe-Fog et al. (2007) reported that genotype TT of rs7851696 was related to a significantly lower level of ficolin-2. Compared with allele G, allele T of rs7851696 had a remarkable increase in binding capacity towards *N*-acetylglucosamine (Hummelshoj et al. 2005). These reports indicated that individuals with low serum level and high binding capacity of ficolin-2 might be more sensitive to *M. leprae* invasion and easily developed PB leprosy. Indeed, normal ficolin-2 level was shown to protect leprosy in Brazilians (de Messias-Reason et al. 2009). We found

that the most frequent *FCN2* haplotype GGA, which has a medium promoter activity, showed a trend of protective effect against leprosy patients in Han Chinese (Table 2; Fig. 2), adding further support to those reported results. None of the five *FCN2* variants analyzed in this study showed any signal as expression quantitative trait loci (eQTLs, which are genomic loci that regulate gene expression) by searching the eQTL database Genevar (<http://www.sanger.ac.uk/resources/software/genevar/>). However, rs3124952 (−986G/A) and rs7851696 [+6424G/T (p.A258S)] of the *FCN2* gene showed positive signals as eQTL for nearby genes in HapMap CHB population (Fig. S3). eQTLs for *FCN2* were mainly located in the *COL5A1* gene which is upstream of *FCN2*, but there is no report for an interaction between *FCN2* and its nearby genes so far. Although we did not link any of the analyzed *FCN2* SNPs with eQTLs, we found that the *FCN2* promoter variants affected transcriptional activity.

Previous studies on *MBL2* and leprosy had conflicting results. Fitness et al. (2004) found no association of *MBL2* variants with PB patients from Africa. In Brazilian patients, de Messias-Reason et al. (2007) reported a positive association of *MBL2* high-expression haplotype with leprosy and a protective effect of low-expression haplotypes/genotypes on LL, but this result was not confirmed by Vasconcelos et al. (2011). In this study, we found that the *MBL2* promoter polymorphisms were strongly associated with leprosy in Han Chinese. Similar to *FCN2*, our results showed that low level of *MBL2* transcriptional activity conferred a risk to PB, while a medium level of *MBL2* transcriptional activity had a protective effect against PB (Table 2). Compared with PB patients, low level of *MBL2* transcriptional activity had a protective effect for MB (Table 2). None of the nine *MBL2* promoter variants analyzed in this study were reported as eQTLs. However, we found that SNPs rs11595039, rs2384188, rs2173519 and rs12411335 in the upstream region of the *MBL2* gene were eQTLs for this gene. Intriguingly, we found that truncated promoter region without exon 1 of the *MBL2* gene had no promoter activity in luciferase assay, indicating an essential role of exon 1 for transcription. The exon 1 region contains three MBL deficiency-related variants p.R52C, p.G54D and p.G57E, which were reported to affect MBL oligomerization (Garred et al. 2006). We speculate that exon 1 altered both function and serum level of MBL, as demonstrated by the luciferase assay (Fig. 2).

We used online tool AliBaba (<http://www.gene-regulation.com/pub/programs/alibaba2/index.html>) to predict potential transcription factor binding sites in the promoter region of the *FCN* and *MBL2* genes. Some of genotyped promoter SNPs were located within regions enriched for transcription factor binding sites. As we did not perform any experiments to confirm this prediction, we

could only deduce the role of specific SNPs responsible for the difference in luciferase activity by comparing the sequence of promoter haplotype. Based on the results in Fig. 2, it seemed that the three promoter SNPs of *FCN2* and two SNPs (H/L and X/Y) of *MBL2* were causal variants responsible for the observed difference of the promoter activity.

We further compared the distribution pattern of major *FCN2* and *MBL2* promoter haplotypes in all five leprosy clinical subtypes (Figs. S1, S2). There was no statistically significant difference among all seven groups (Control, TT, BT, BB, BL, LL and leprosy per se). When we pooled these *FCN2* and *MBL2* haplotypes with similar promoter activity (medium group and low group), we found that *FCN2* haplotype frequencies were similar in all subtypes except for BB (Fig. S2a). Note that such a pattern should be received with caution as the sample size for BB was too small. Nonetheless, the apparent distinctness emerging for BB needs attention. The distribution of *MBL2* haplotypes presented significant difference in TT leprosy relative to other subtypes (Fig. S2b), which was inconsistent with previous studies that reported a prevalent association of *MBL2* variants with LL (Table S7). Note that positive associations were mainly observed in subtypes rather than in leprosy per se. As the clinical features between the two leprosy subtypes PB and MB are very different, we would expect that these associations might reflect different molecular mechanisms or genetic bases between disease susceptibility and process. We speculated that the positively associated lectins may be involved in pathogen clearance as opsonin, thus affect the bacteria load in PB and MB. Collectively, our results for the *MBL2* and *FCN2* genes in Han Chinese indicated that the lectin pathway contributed to activation of complement system in leprosy, especially for PB patients.

The complement factor H inactivates the alternative complement pathway and is often used to mediate immune evasion by pathogens (Rooijackers and van Strijp 2007; Vogl et al. 2008). Genetic variants of this gene were also reported to be associated with age-related macular degeneration and pneumococcal meningitis (Davila et al. 2010; Thakkinstian et al. 2006). We found that rs1065489 and rs3753395 of *CFH* were positively associated with leprosy at allele, genotype and haplotype levels, suggesting an active role of this gene in leprosy. Three SNPs (rs10733086, rs1410997 and rs1831282; Fig. S3) that were located in the *CFH* gene showed a signal as eQTL for *CFH*, but these SNPs were not linked with rs3753395 and rs1065489. Thus, the positive association of rs3753395 and rs1065489 with leprosy may not reflect potential difference in *CFH* expression between the case and control groups. We also identified several SNPs that were located in nearby genes as eQTLs for the *CFH* gene (Fig. S3). We searched

dbSNP, HapMap and related references for potential functional variants in the *CFH* gene that were tagged by rs3753395 and rs1065489 (Table S5). None was found to be potentially causal excluding rs1065489. However, no chemical property or structural change that would affect regulation of the alternative pathway was reported for this variant (Boon et al. 2008; Caprioli et al. 2003).

The current study has several limitations. First, we lacked further experiments to characterize the specific role of those SNPs showing an association with leprosy per se and/or its subtypes. Second, heterozygous genotypes of *MBL2* SNPs (rs11003125, rs7100749, rs11003124 and rs7096206) presented an association with leprosy subtype, but we had no available data to explain the possible heterozygous effect. Third, although we observed functional effect of different haplotypes of *FCN2* and *MBL2* genes in our luciferase assay, the exact role of these haplotypes in leprosy needs further elucidation. Finally, we only analyzed three tag SNPs for the *CFH* gene, which had limited capacity to cover the entire gene. Considering the important role of the *CFH* gene in different diseases (Davila et al. 2010; Thakkinstian et al. 2006), it is worthwhile to genotype more tag SNPs in the future.

In summary, we found that genetic variants of the *FCN2*, *MBL2* and *CFH* genes of the lectin and alternative pathways confer genetic susceptibility to leprosy in Han Chinese. Combined with available knowledge from literatures (Table S6), we suggested that all three complement pathways were involved in leprosy. Further independent replication analyses and functional assays are needed to validate our findings.

Acknowledgments We thank all the participants in this study and Mr. Mei-Sheng Xiao and Miss Ling Xu for assistance with luciferase assay. This study was supported by the National Natural Science Foundation of China (31271346, 30925021 and 81260237), Top Talents Program of Yunnan Province (2009CI119) and the Chinese Academy of Sciences.

Conflict of interest All authors declare no potential conflicts.

References

Alter A, Grant A, Abel L, Alcais A, Schurr E (2011) Leprosy as a genetic disease. *Mamm Genome* 22:19–31

Bandelt HJ, Forster P, Rohl A (1999) Median-joining networks for inferring intraspecific phylogenies. *Mol Biol Evol* 16:37–48

Barrett JC, Fry B, Maller J, Daly MJ (2005) Haploview: analysis and visualization of LD and haplotype maps. *Bioinformatics* 21:263–265

Bochud PY, Hawn TR, Siddiqui MR, Saunderson P, Britton S, Abraham I, Argaw AT, Janer M, Zhao LP, Kaplan G, Aderem A (2008) Toll-like receptor 2 (TLR2) polymorphisms are associated with reversal reaction in leprosy. *J Infect Dis* 197:253–261

Boon CJ, Klevering BJ, Hoyng CB, Zonneveld-Vrieling MN, Nabuurs SB, Blokland E, Cremers FP, den Hollander AI (2008) Basal laminar drusen caused by compound heterozygous variants in the *CFH* gene. *Am J Hum Genet* 82:516–523

Britton WJ, Lockwood DN (2004) Leprosy. *Lancet* 363:1209–1219

Caprioli J, Castelletti F, Bucchioni S, Bettinaglio P, Bresin E, Pianetti G, Gamba S, Brioschi S, Daina E, Remuzzi G, Noris M (2003) Complement factor H mutations and gene polymorphisms in haemolytic uraemic syndrome: the C-257T, the A2089G and the G2881T polymorphisms are strongly associated with the disease. *Hum Mol Genet* 12:3385–3395

Carroll MV, Lack N, Sim E, Krarup A, Sim RB (2009) Multiple routes of complement activation by *Mycobacterium bovis* BCG. *Mol Immunol* 46:3367–3378

Cole ST, Eiglmeier K, Parkhill J, James KD, Thomson NR, Wheeler PR, Honoré N, Garnier T, Churcher C, Harris D, Mungall K, Basham D, Brown D, Chillingworth T, Connor R, Davies RM, Devlin K, Duthoy S, Feltwell T, Fraser A, Hamlin N, Holroyd S, Hornsby T, Jagels K, Lacroix C, Maclean J, Moule S, Murphy L, Oliver K, Quail MA, Rajandream MA, Rutherford KM, Rutter S, Seeger K, Simon S, Simmonds M, Skelton J, Squares R, Squares S, Stevens K, Taylor K, Whitehead S, Woodward JR, Barrell BG (2001) Massive gene decay in the leprosy bacillus. *Nature* 409:1007–1011

Cooper NR (1985) The classical complement pathway: activation and regulation of the first complement component. *Adv Immunol* 37:151–216

Davila S, Wright VJ, Khor CC, Sim KS, Binder A, Breunis WB, Inwald D, Nadel S, Betts H, Carrol ED, de Groot R, Hermans PW, Hazelzet J, Emonts M, Lim CC, Kuijpers TW, Martinon-Torres F, Salas A, Zenz W, Levin M, Hibberd ML (2010) Genome-wide association study identifies variants in the *CFH* region associated with host susceptibility to meningococcal disease. *Nat Genet* 42:772–776

de Messias-Reason IJ, Boldt AB, MoraesBraga AC, von Rosen Seeling Stahlke E, Dornelles L, Pereira-Ferrari L, Kreamsner PG, Kun JF (2007) The association between mannan-binding lectin gene polymorphism and clinical leprosy: new insight into an old paradigm. *J Infect Dis* 196:1379–1385

de Messias-Reason I, Kreamsner PG, Kun JF (2009) Functional haplotypes that produce normal ficolin-2 levels protect against clinical leprosy. *J Infect Dis* 199:801–804

Dommett RM, Klein N, Turner MW (2006) Mannose-binding lectin in innate immunity: past, present and future. *Tissue Antigens* 68:193–209

Dornelles LN, Pereira-Ferrari L, Messias-Reason I (2006) Mannan-binding lectin plasma levels in leprosy: deficiency confers protection against the lepromatous but not the tuberculoid forms. *Clin Exp Immunol* 145:463–468

Endo Y, Takahashi M, Fujita T (2006) Lectin complement system and pattern recognition. *Immunobiology* 211:283–293

Faik I, Oyedeji SI, Idris Z, de Messias-Reason IJ, Lell B, Kreamsner PG, Kun JF (2011) Ficolin-2 levels and genetic polymorphisms of *FCN2* in malaria. *Hum Immunol* 72:74–79

Ferguson JS, Weis JJ, Martin JL, Schlesinger LS (2004) Complement protein C3 binding to *Mycobacterium tuberculosis* is initiated by the classical pathway in human bronchoalveolar lavage fluid. *Infect Immun* 72:2564–2573

Fitness J, Floyd S, Warndorff DK, Sichali L, Mwaungulu L, Crampin AC, Fine PE, Hill AV (2004) Large-scale candidate gene study of leprosy susceptibility in the Karonga district of northern Malawi. *Am J Trop Med Hyg* 71:330–340

Garred P, Larsen F, Seyfarth J, Fujita R, Madsen HO (2006) Mannose-binding lectin and its genetic variants. *Genes Immun* 7:85–94

Garred P, Honoré C, Ma YJ, Munthe-Fog L, Hummelshøj T (2009) *MBL2*, *FCN1*, *FCN2* and *FCN3*—The genes behind the initiation

- of the lectin pathway of complement. *Mol Immunol* 46: 2737–2744
- Garred P, Honoré C, Ma YJ, Rorvig S, Cowland J, Borregaard N, Hummelshøj T (2010) The genetics of ficolins. *J Innate Immun* 2:3–16
- Gauderman WJ (2002) Sample size requirements for matched case-control studies of gene-environment interaction. *Stat Med* 21:35–50
- George Priya Doss C, Nagasundaram N, Srajan J, Chiranjib C (2012) LSHGD: a database for human leprosy susceptible genes. *Genomics* 100:162–166
- Gomes GI, Nahn EP Jr, Santos RK, Da Silva WD, Kipnis TL (2008) The functional state of the complement system in leprosy. *Am J Trop Med Hyg* 78:605–610
- Hummelshøj T, Munthe-Fog L, Madsen HO, Fujita T, Matsushita M, Garred P (2005) Polymorphisms in the FCN2 gene determine serum variation and function of ficolin-2. *Hum Mol Genet* 14:1651–1658
- Li Y-Y, Li X-A, He L, Wang D, Chen W-Y, Chen L, Lu JB, Yao Y-G (2011) Trends in new leprosy case detection over 57 years (1952–2008) in Yuxi, Yunnan Province of Southwest China. *Lepr Rev* 82:6–16
- Madsen HO, Garred P, Kurtzhals JA, Lamm LU, Ryder LP, Thiel S, Svejgaard A (1994) A new frequent allele is the missing link in the structural polymorphism of the human mannan-binding protein. *Immunogenetics* 40:37–44
- Madsen HO, Garred P, Thiel S, Kurtzhals JA, Lamm LU, Ryder LP, Svejgaard A (1995) Interplay between promoter and structural gene variants control basal serum level of mannan-binding protein. *J Immunol* 155:3013–3020
- Madsen HO, Satz ML, Høgh B, Svejgaard A, Garred P (1998) Different molecular events result in low protein levels of mannan-binding lectin in populations from southeast Africa and South America. *J Immunol* 161:3169–3175
- Misch EA, Berrington WR, Vary JC Jr, Hawn TR (2010) Leprosy and the human genome. *Microbiol Mol Biol Rev* 74:589–620
- Modlin RL (2010) The innate immune response in leprosy. *Curr Opin Immunol* 22:48–54
- Munthe-Fog L, Hummelshøj T, Hansen BE, Koch C, Madsen HO, Skjødt K, Garred P (2007) The impact of FCN2 polymorphisms and haplotypes on the ficolin-2 serum levels. *Scand J Immunol* 65:383–392
- Ricklin D, Hajishengallis G, Yang K, Lambris JD (2010) Complement: a key system for immune surveillance and homeostasis. *Nat Immunol* 11:785–797
- Rodríguez de Córdoba S, Esparza-Gordillo J, Goicoechea de Jorge E, Lopez-Trascasa M, Sánchez-Corral P (2004) The human complement factor H: functional roles, genetic variations and disease associations. *Mol Immunol* 41:355–367
- Rooijackers SH, van Strijp JA (2007) Bacterial complement evasion. *Mol Immunol* 44:23–32
- Saha K, Chakraborty AK (1977) Serum complement profile in human leprosy and its comparison with immune complex diseases. *Int J Lepr Mycobact Dis* 45:327–337
- Saha K, Sharma V, Chakraborty AK, Sehgal VN (1983) Breakdown product of factor B as an index of complement activation in lepromatous leprosy and its relation with bacillary load. *Scand J Immunol* 17:37–43
- Sapkota BR, Macdonald M, Berrington WR, Misch EA, Ranjit C, Siddiqui MR, Kaplan G, Hawn TR (2010) Association of TNF, MBL, and VDR polymorphisms with leprosy phenotypes. *Hum Immunol* 71:992–998
- Sato S, Imi M (1968) The surface structure of *M. leprae*. *Int J Lepr Mycobact Dis* 36:303–308
- Stephens M, Smith NJ, Donnelly P (2001) A new statistical method for haplotype reconstruction from population data. *Am J Hum Genet* 68:978–989
- Thakkestian A, Han P, McEvoy M, Smith W, Hoh J, Magnusson K, Zhang K, Attia J (2006) Systematic review and meta-analysis of the association between complement factor H Y402H polymorphisms and age-related macular degeneration. *Hum Mol Genet* 15:2784–2790
- Vasconcelos LR, Fonseca JP, do Carmo RF, de Mendonca TF, Pereira VR, Lucena-Silva N, Pereira LM, Moura P, Cavalcanti Mdo S (2011) Mannose-binding lectin serum levels in patients with leprosy are influenced by age and MBL2 genotypes. *Int J Infect Dis* 15: e551–557
- Vogl G, Lesiak I, Jensen DB, Perkhofers S, Eck R, Speth C, Lass-Flörl C, Zipfel PF, Blom AM, Dierich MP, Würzner R (2008) Immune evasion by acquisition of complement inhibitors: the mould *Aspergillus* binds both factor H and C4b binding protein. *Mol Immunol* 45:1485–1493
- Wang D, Feng J-Q, Li Y-Y, Zhang D-F, Li X-A, Li Q-W, Yao Y-G (2012a) Genetic variants of the MRC1 gene and the IFNG gene are associated with leprosy in Han Chinese from Southwest China. *Hum Genet* 131:1251–1260
- Wang D, Su L-Y, Zhang A-M, Li Y-Y, Li X-A, Chen L-L, Long H, Yao Y-G (2012b) Mitochondrial DNA copy number, but not haplogroup, confers a genetic susceptibility to leprosy in Han Chinese from Southwest China. *PLoS ONE* 7:e38848
- Wong SH, Gochhait S, Malhotra D, Pettersson FH, Teo YY, Khor CC, Rautanen A, Chapman SJ, Mills TC, Srivastava A, Rudko A, Freidin MB, Puzyrev VP, Ali S, Aggarwal S, Chopra R, Reddy BS, Garg VK, Roy S, Meisner S, Hazra SK, Saha B, Floyd S, Keating BJ, Kim C, Fairfax BP, Knight JC, Hill PC, Adegbola RA, Hakonarson H, Fine PE, Pitchappan RM, Bamezai RN, Hill AV, Vannberg FO (2010) Leprosy and the adaptation of human toll-like receptor 1. *PLoS Pathog* 6:e1000979
- Zhang FR, Huang W, Chen SM, Sun LD, Liu H, Li Y, Cui Y, Yan XX, Yang HT, Yang RD, Chu TS, Zhang C, Zhang L, Han JW, Yu GQ, Quan C, Yu YX, Zhang Z, Shi BQ, Zhang LH, Cheng H, Wang CY, Lin Y, Zheng HF, Fu XA, Zuo XB, Wang Q, Long H, Sun YP, Cheng YL, Tian HQ, Zhou FS, Liu HX, Lu WS, He SM, Du WL, Shen M, Jin QY, Wang Y, Low HQ, Erwin T, Yang NH, Li JY, Zhao X, Jiao YL, Mao LG, Yin G, Jiang ZX, Wang XD, Yu JP, Hu ZH, Gong CH, Liu YQ, Liu RY, Wang DM, Wei D, Liu JX, Cao WK, Cao HZ, Li YP, Yan WG, Wei SY, Wang KJ, Hibberd ML, Yang S, Zhang XJ, Liu JJ (2009) Genomewide association study of leprosy. *N Engl J Med* 361:2609–2618
- Zipfel PF, Mihlan M, Skerka C (2007) The alternative pathway of complement: a pattern recognition system. *Adv Exp Med Biol* 598:80–92

Online Supplementary Materials

Genetic variants of complement genes *Ficolin-2*, *Mannose-binding lectin* and *Complement factor H* are associated with leprosy in Han Chinese from Southwest China

Deng-Feng Zhang^{1,3}, Xian-Qiong Huang², Dong Wang^{1,3}, Yu-Ye Li², Yong-Gang Yao¹

¹ Key Laboratory of Animal Models and Human Disease Mechanisms of the Chinese Academy of Sciences & Yunnan Province, Kunming Institute of Zoology, Kunming, Yunnan, 650223, China

² Department of Dermatology, the First Affiliated Hospital of Kunming Medical University, Kunming, Yunnan, 650032, China

³ University of Chinese Academy of Sciences, Beijing, 100049, China

Corresponding author:

Dr. Yong-Gang Yao, Key Laboratory of Animal Models and Human Disease Mechanisms, Kunming Institute of Zoology, Chinese Academy of Sciences, Kunming, Yunnan 650223, China. Tel/Fax: 86-871-5180085; E-mail: ygyaozh@gmail.com

Online Supplementary Materials

Table S1 Information for genotyped SNPs in the *FCN2*, *CFH* and *MBL2* genes

Gene	SNP	Conventional Nomenclature	Nucleotide Change	Location / Annotation	Statistic Power ^c
<i>FCN2</i>	rs3124952 ^a	-986	G/A	Promoter region	-
	rs3124953 ^a	-602	G/A	Promoter region	-
	rs3811140 ^a	-557	A/G	Promoter region	99%
	rs17549193	+6359	C/T (p.T236M)	Exon 8	-
	rs7851696	+6424	G/T (p.A258S)	Exon 8	99%
<i>MBL2</i>	rs11003125 ^{a,b}	H/L (-619, aka -550)	G/C	Promoter region	99%
	rs7100749 ^a	-504	G/A	Promoter region	88%
	rs11003124 ^a	-496	A/C	Promoter region	76%
	rs7084554	-418	A/G	Promoter region	-
	rs36014597	-405	A/G	Promoter region	-
	rs45560739	-391	-/AGAGAA	Promoter region	-
	rs7096206 ^{a,b}	Y/X (-290, aka -221)	G/C	Promoter region	90%
	rs11003123	-139	C/T	Promoter region	-
	rs7095891 ^{a,b}	P/Q (-66, aka +4)	C/T	Promoter region	-
	<i>CFH</i>	rs3753394	-	C/T	NearGene-5', tag SNP
rs3753395		-	A/T	Intron 12, tag SNP	99%
rs1065489		-	G/T (p.E936D)	Tag SNP	97%

^a These SNPs were included in the luciferase analysis.

^b SNPs defined the "secretor" haplotypes.

^c Only these variants that presented positive associations with leprosy and/or its subtypes were calculated.

Online Supplementary Materials

Table S2 Primers for genotyping and plasmid construction

Gene	Target	Primer Sequence (5'-3')	Product/ endonuclease
<i>CFH</i>	rs3753394	U: CACAATAGACCCGAATAGAGT L: GAAATGCCAGAAGTTAAACC	206 bp, <i>EcoRV</i> (RFLP)
	rs1065489	U: GTTTACCAGGCATAGATGAT L: TAAAATCAATGCACCATAC	449 bp, <i>Dde I</i> (RFLP)
	rs3753395	U: CAAAGGATTGTGTTAGTTAGC L: CTGTGAGTCCTTTCCCCTCGC	490 bp
<i>FCN2</i>	Promoter ^a	U: ATTGAAGGAAAATCCGATGGG L: GAAGCCACCAATCACGAAG GGGCTGGGGTCACAGTTTA GAGTGCCCTTACCTGGACAG	1278 bp For sequencing For sequencing
	Exon 8 ^a	U: CCAGCTCCCATGTCTAAAGG L: TTACAAACCGTAGGGCCAAG	1132 bp
<i>MBL2</i>	Promoter ^a	U: ATGGGGCTAGGCTGCTGAG L: CCAACACGTACCTGGTTCCC GAACATGGGGAATTCCTGC ACAGTTTCTGAGTAAGACG	1058 bp For sequencing For sequencing
Promoter insert for luciferase reporter assay ^b	<i>FCN2</i> <i>MBL2</i>	U: GG <i>CTCGAG</i> ATTGAAGGAAAATCCGATGGG L: TGG <i>AAGCTT</i> CTGGTCTTTGCTTCAAAAG U: CG <i>ACGCGT</i> ATGGGGCTAGGCTGCTGAG L1: GG <i>CTCGAG</i> CCAACACGTACCTGGTTCCC L2: GG <i>CTCGAG</i> GTCTCACCTTGGTGTGAG	<i>XhoI</i> <i>HindIII</i> <i>MluI</i> <i>XhoI</i> <i>XhoI</i>

^a Primers obtained from literatures (de Messias-Reason et al. 2009; de Messias-Reason et al. 2007).

^b The enzyme recognition sites for vector construction were labeled in italic and bold.

Online Supplementary Materials

Table S3 Five SNPs in the *FCN2*, *MBL2* and *CFH* genes that showed no association with leprosy

SNP	Genotype	Control	Leprosy versus Control *			MB versus Control *			PB versus Control *		
		No. (%)	No. (%)	OR (95%CI)	P-value	No. (%)	OR (95%CI)	P-value	No. (%)	OR (95%CI)	P-value
<i>FCN2</i> gene											
rs3124952	GG	481 (82.9)	420 (79.7)	1.000 (reference)	-	222 (79.6)	1.000 (reference)	-	-	1.000 (reference)	-
	AG	95 (16.4)	101 (19.2)	1.789 (0.497-6.452)	0.373	55 (19.7)	1.252 (0.225-6.993)	0.304	46 (18.6)	1.140 (0.770-1.686)	0.513
	AA	4 (0.7)	6 (1.1)	1.185 (0.867-1.616)	0.287	2 (0.7)	1.215 (0.838-1.757)	0.798	4 (1.6)	2.494 (0.611-10.204)	0.203
	G	1057 (91.1)	941(89.3)	1.000 (reference)	-	-	1.000 (reference)	-	442 (89.1)	1.000 (reference)	-
	A	103 (8.9)	113 (10.7)	1.209 (0.912-1.605)	0.188	59 (10.6)	1.193 (0.850-1.675)	0.307	54 (10.9)	1.225 (0.864-1.739)	0.255
rs3124953	GG	550 (94.8)	504 (95.6)	1.000 (reference)	-	-	1.000 (reference)	-	237 (95.6)	1.000 (reference)	-
	AG	28 (4.8)	23 (4.4)	0.873 (0.495-1.541)	0.640	12 (4.3)	0.845 (0.421-1.692)	0.634	11 (4.4)	0.895 (0.437-1.835)	0.763
	AA	2 (0.4)	0 (0)	-	-	-	-	0.999	0 (0)	-	-
	G	1128 (97.2)	1031 (97.8)	1.000 (reference)	-	-	1.000 (reference)	-	485 (97.8)	1.000 (reference)	-
	A	32 (2.8)	23 (2.2)	0.758 (0.439-1.307)	0.319	12 (2.2)	0.734 (0.374-1.441)	0.369	11 (2.2)	0.773 (0.385-1.553)	0.469
rs17549193	CC	508 (87.6)	442 (83.9)	1.000 (reference)	-	-	1.000 (reference)	-	210 (84.7)	1.000 (reference)	-
	CT	70 (12.1)	79 (15.0)	1.282 (0.905-1.815)	0.162	43 (15.4)	1.323 (0.876-1.996)	0.184	36 (14.5)	1.242 (0.803-1.919)	0.329
	TT	2 (0.3)	6 (1.1)	3.597 (0.715-18.182)	0.120	4 (1.4)	4.808 (0.862-27.027)	0.073	2 (0.8)	2.674 (0.367-19.608)	0.331
	C	1086 (93.6)	963 (91.4)	1.000 (reference)	-	-	1.000 (reference)	-	456 (91.9)	1.000 (reference)	-
	T	74 (6.4)	91 (8.6)	1.379 (1.000-1.901)	0.050	51 (9.1)	1.468 (1.010-2.132)	0.044	40 (8.1)	1.294 (0.865-1.938)	0.209
<i>MBL2</i> gene											
rs7095891	CC	458 (78.8)	397 (75.5)	1.000 (reference)	-	-	1.000 (reference)	-	191 (77.0)	1.000 (reference)	-
	CT	110 (18.9)	115 (21.8)	1.222 (0.909-1.642)	0.184	65 (23.4)	1.326 (0.935-1.883)	0.114	50 (20.2)	1.088 (0.746-1.585)	0.662

Online Supplementary Materials

	TT	13 (2.2)	14 (2.7)	1.185 (0.548-2.564)	0.667	7 (2.5)	1.178 (0.461-3.012)	0.733	7 (2.8)	1.233 (0.482-3.155)	0.662
	C	1026 (88.3)	909 (86.4)	1.000 (reference)	-	-	1.000 (reference)	-	432 (87.1)	1.000 (reference)	-
	T	136 (11.7)	143 (13.6)	1.186 (0.922-1.529)	0.185	79 (14.2)	1.253 (0.929-1.692)	0.139	64 (12.9)	1.106 (0.803-1.522)	0.538
<i>CFH</i> gene											
rs3753394	TT	169 (29.0)	154 (29.3)	1.000 (reference)	-	76 (27.2)	1.000 (reference)	-	78 (31.6)	1.000 (reference)	-
	CT	283 (48.6)	248 (47.1)	0.953 (0.721-1.260)	0.736	137 (49.1)	1.058 (0.752-1.488)	0.746	111 (44.9)	0.851 (0.600-1.206)	0.364
	CC	130 (22.3)	124 (23.6)	1.026 (0.737-1.429)	0.880	66 (23.7)	1.098 (0.733-1.644)	0.651	58 (23.5)	0.951 (0.630-1.436)	0.812
	T	621 (53.4)	556 (52.9)	1.000 (reference)	-	289 (51.8)	1.000 (reference)	-	267 (54.0)	1.000 (reference)	-
	C	543 (46.6)	496 (47.1)	1.010 (0.853-1.195)	0.911	269 (48.2)	1.049 (0.856-1.285)	0.644	227 (46.0)	0.965 (0.780-1.193)	0.740

*All data were calculated by using the unconditional logistic regression, with an adjustment for gender. The major allele of each SNP was used as the reference. MB - multibacillary leprosy; PB - paucibacillary leprosy.

Online Supplementary Materials

Table S4 Distribution of the *FCN2* and *MBL2* haplotypes in leprosy patients and healthy controls

Haplotype	Leprosy versus Control				MB versus Control			PB versus Control			MB versus PB	
	No.	No.	OR (95%CI)	<i>P</i> -value*	No.	OR (95%CI)	<i>P</i> -value*	No.	OR (95%CI)	<i>P</i> -value*	OR (95%CI)	<i>P</i> -value*
<i>FCN2</i> Haplotypes with all five SNPs												
GGACG	816	683	0.789 (0.661-0.943)	0.010 ^a	368	0.831 (0.670-1.030)	0.096	315	0.746 (0.598-0.932)	0.011 ^a	1.113 (0.864-1.434)	0.438
GGGCT	160	161	1.134 (0.895-1.436)	0.304	84	1.114 (0.837-1.483)	0.461	77	1.155 (0.860-1.552)	0.358	0.964 (0.689-1.349)	0.864
AGATG	55	65	1.328 (0.918-1.920)	0.133	36	1.393 (0.904-2.148)	0.136	29	1.254 (0.790-1.992)	0.330	1.111 (0.670-1.840)	0.702
GGACT	32	30	1.038 (0.626-1.721)	0.898	13	0.845 (0.440-1.624)	0.747	17	1.258 (0.692-2.287)	0.433	0.672 (0.323-1.398)	0.354
GGGCG	28	37	1.479 (0.898-2.433)	0.131	18	1.355 (0.743-2.471)	0.339	19	1.619 (0.895-2.927)	0.109	0.837 (0.434-1.613)	0.618
AGACG	22	23	1.160 (0.643-2.094)	0.653	9	0.852 (0.390-1.864)	0.847	14	1.510 (0.766-2.977)	0.269	0.564 (0.242-1.316)	0.208
AAACG	19	18	1.049 (0.547-2.009)	1.000	10	1.102 (0.509-2.385)	0.842	8	0.990 (0.430-2.276)	1.000	1.113 (0.436-2.843)	1.000
GGATG	12	19	1.765 (0.853-3.654)	0.147	10	1.755 (0.754-4.087)	0.250	9	1.777 (0.744-4.245)	0.229	0.987 (0.398-2.450)	1.000
Other ^b	22	18	0.903 (0.482-1.694)	0.873	10	0.949 (0.446-2.018)	1.000	8	0.852 (0.377-1.928)	0.841	1.113 (0.436-2.843)	1.000
Global	-	-	-	0.241	-	-	0.571	-	-	0.256	-	-
<i>MBL2</i> promoter haplotypes with all five SNPs												
GGAGC	537	457	0.897 (0.758-1.060)	0.215	237	0.865 (0.706-1.060)	0.163	220	0.933 (0.756-1.153)	0.554	0.926 (0.726-1.182)	0.575
CGAGC	209	174	0.905 (0.726-1.129)	0.399	99	0.988 (0.759-1.286)	0.947	75	0.816 (0.612-1.088)	0.176	1.211 (0.872-1.681)	0.280
CGACC	170	167	1.103 (0.875-1.391)	0.408	70	0.840 (0.623-1.133)	0.265	97	1.424 (1.082-1.875)	0.013 ^a	0.590 (0.422-0.825)	0.002
CGCGT	103	109	1.190 (0.897-1.580)	0.247	58	1.197 (0.853-1.680)	0.330	51	1.183 (0.831-1.684)	0.356	1.012 (0.680-1.506)	1.000
CAAGC	84	66	0.860 (0.616-1.201)	0.398	45	1.130 (0.775-1.647)	0.557	21	0.569 (0.349-0.930)	0.027 ^a	1.984 (1.165-3.380)	0.011 ^a
CGCCT	12	18	1.671 (0.800-3.485)	0.198	10	1.755 (0.754-4.087)	0.249	8	1.577 (0.640-3.881)	0.33	1.113 (0.436-2.843)	1.000
CGCGC	7	15	2.390 (0.971-5.886)	0.055	7	2.103 (0.734-6.026)	0.162	8	2.714 (0.979-7.526)	0.083	0.775 (0.279-2.153)	0.796
GGCGC	0	14	-	-	10	-	-	4	-	-	2.245 (0.699-7.202)	0.187
GGACC	17	5	0.322 (0.118-0.876)	0.029	3	0.365 (0.107-1.252)	0.147	2	0.274 (0.063-1.189)	0.077	1.335 (0.222-8.023)	1.000
Other ^c	27	29	1.194 (0.702-2.030)	0.588	19	1.487 (0.819-2.698)	0.203	10	0.868 (0.417-1.807)	0.856	1.713 (0.789-3.720)	0.190
Global	-	-	-	0.000	-	-	0.000	-	-	0.000	-	-

Online Supplementary Materials

**P*-values were calculated by using the Fisher's exact test. Person's chi-square test was used for estimating global *P*-value. MB - multibacillary leprosy; PB - paucibacillary leprosy. *P* values < 0.05 were marked in bold.

^a Those positive associations disappeared after Bonferroni correction.

^b Eight rare haplotypes with a frequency of <1% (each was shared by less than 10 individuals) were pooled together.

^c Seven rare haplotypes with a frequency of <1% (each was shared by less than 10 individuals) were pooled together.

Online Supplementary Materials

Table S5 Potentially causal variants tagged by SNPs rs1065489 and rs3753395 of the *CFH* gene

rs1065489 tagged *	r²	CHB-MAF	Location/Function
rs1065489	1	0.5	Exon 19, c.2808G>T, p.E936D
rs11582939	1	0.5	Intron 18
rs742855	0.953	0.49	Intron 15
rs1329423	0.931	0.49	Intron 4
rs12405238	0.931	0.49	Intron 9
rs3753396	0.929	0.49	Exon 15, c.2016A>G, p.Q672Q
rs70620	0.926	0.5	Intron 15
rs1329428	0.659	0.36	Intron 15
rs424535	0.633	0.39	Intron 17
rs7535263	0.59	0.32	Intron 9
rs10737680	0.588	0.33	Intron 9
rs3753395 tagged *	r²	CHB-MAF	Location/Function
rs3753395	1	0.40	Intron 12
rs6680396	0.539	0.21	Intron 1
rs12124794	0.7	0.33	Intron 9
rs10737680	1	0.33	Intron 10
rs1831281	0.687	0.34	Intron 9
rs7535263	1	0.32	Intron 10
rs6677604	0.779	0.07	Intron 12
rs11801630	0.95	0.47	Intron 12
rs1060821	1	-	Exon 15, c.2339G>T, p.R780I
rs12144939	0.779	0.09	Intron 16
rs414539	1	0.07	Intron 16
rs1329428	0.909	0.36	Intron 15
rs7413137	1	-	Intron 16
rs10801561	0.638	0.36	Intron 20
rs488738	1	-	3'-UTR

* Tag SNPs are picked out for population CHB (Han Chinese in Beijing, China) using the algorithm-Tagger-pairwise Tagging with $r^2 > 0.5$ from HapMap. Annotation for function was taken from dbSNP and/or literatures. No potentially causal variants were found.

Online Supplementary Materials

Table S6 Summary of reported literatures about lectins and complement status in leprosy

Study	Factor/Pathway	Status	Target	Population	Study design
Fitness et al. (2004)	MBL deficiency	Negative	PB	Malawian	Case-control
Dornelles et al. (2006)	MBL deficiency	Protective	LL/MB	Brazilian	Case-control
de Messias-Reason et al. (2007)	MBL deficiency	Protective	LL	Brazilian	Case-control
	MBL deficiency	Susceptive	TL		
	High MBL level	Susceptive	Leprosy		
Gomes et al. (2008)	High MBL level	Susceptive	LL	Brazilian	Hemolytic assay and ELISA
de Messias-Reason et al. (2009)	Normal FCN2 level	Protective	Leprosy	Brazilian	Case-control
Sapkota et al. (2010)	MBL deficiency	Protective	LL	Nepalese	Case-control
Vasconcelos et al. (2011)	MBL variants and serum	Negative	-	Brazilian	Case-control
Boldt et al. (2012)	High FCN1 level	Protective	LL	Brazilian	Case-control
	Low FCN1 level	Susceptive	Leprosy		
This study	Low MBL/FCN2 level	Susceptive	PB/TT	Chinese	Case-control
	Normal FCN2/MBL level	Protective	PB/leprosy		
	MBL deficiency	Protective	MB		
Srivastava et al. (1975)	Alternative pathway	Involvement	Leprosy	Ethiopian	Serum complement profile
Saha et al. (1977)	Alternative pathway	Involvement	Leprosy	Indian	Serum complement profile
	Middle/Terminal components	Unclear			
Saha et al. (1983)	Alternative pathway	Involvement	LL	Indian	Serum complement profile
Tyagi et al. (1990)	Alternative pathway	Involvement	BL/LL/TT/BT	Indian	Complement Hemolytic Activity Assay
	Classical pathway	Involvement	BL/LL		
Parkash et al. (1990)	Terminal components	Negative	Leprosy	Indian	ELISA
Schlesinger et al. (1990)	Alternative pathway	Involvement	-	-	In vitro experiment
Ramanathan et al. (1998)	Classical pathway	Involvement	-	-	In vitro experiment

Online Supplementary Materials

	Alternative pathway	Involvement	-	-	
Rojas-Espinosa et al. (1991)	Classical pathway	Involvement	-	-	Animal experiment
Launois et al. (1992)	Alternative pathway	Involvement	-	-	In vitro experiment
Gomes et al. (2008)	Classical pathway	Involvement	LL	Brazilian	Hemolytic Assay and ELISA
	Lectin pathway	Involvement	LL		
This study	Lectin pathway	Involvement	PB (TT)	Chinese	Case-control
	Alternative pathway	Involvement	Leprosy		

Online Supplementary Materials

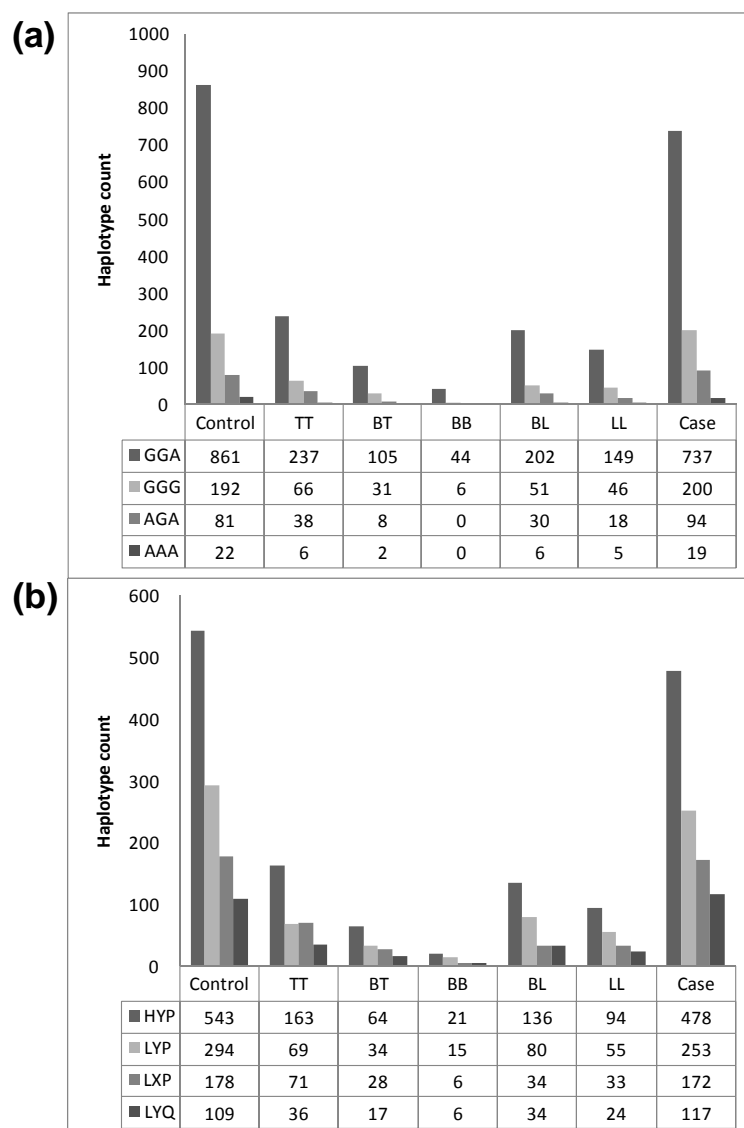


Fig. S1 Distribution pattern of major haplotypes of the *FCN2* (a) and *MBL2* (b) genes in leprosy subtypes. Counts of major *FCN2* and *MBL2* promoter haplotypes in patients with five leprosy clinical subtypes were list below the histograms. There is no significant difference of distribution pattern among the groups and subtypes (Chi-Square test).

Online Supplementary Materials

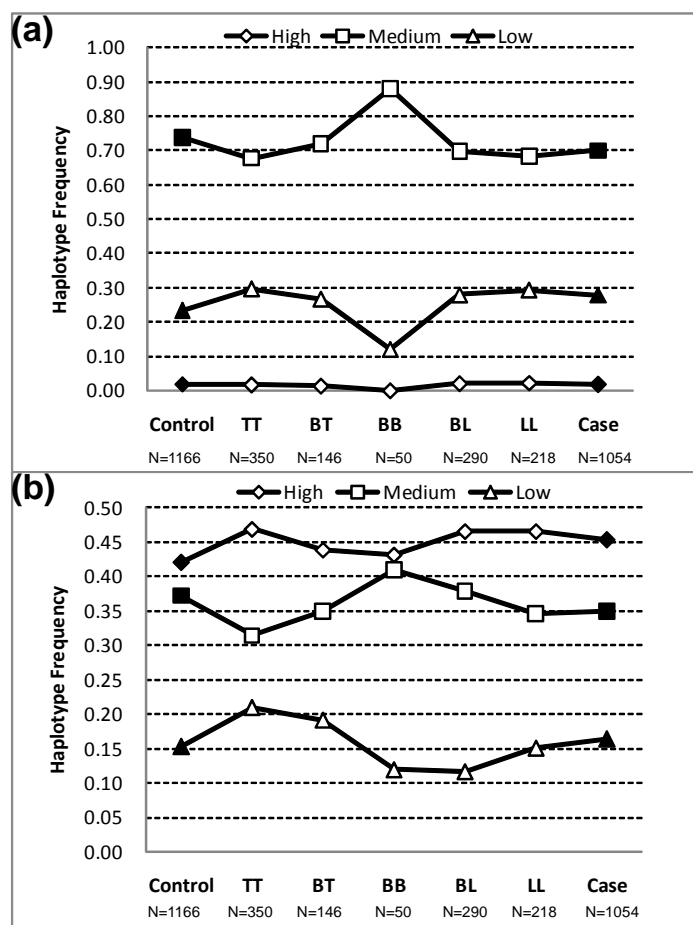


Fig. S2 Distribution of haplotypes with different promoter activity in five leprosy subtypes. Frequency of the FCN2 (a) and MBL2 (b) haplotypes with high, medium and low promoter activity in five leprosy subtypes (TT, BT, BB, BL and LL). The promoter activity was based on luciferase assay. Haplotypes AAA of FCN2 and HYP of MBL2 were defined as high promoter activity. Haplotypes GGA of FCN2 and LYP combined with LYQ of MBL2 were defined as medium promoter activity. Haplotypes GGG combined with AGA of FCN2 and LXP of MBL2 were defined as low promoter activity.

Online Supplementary Materials

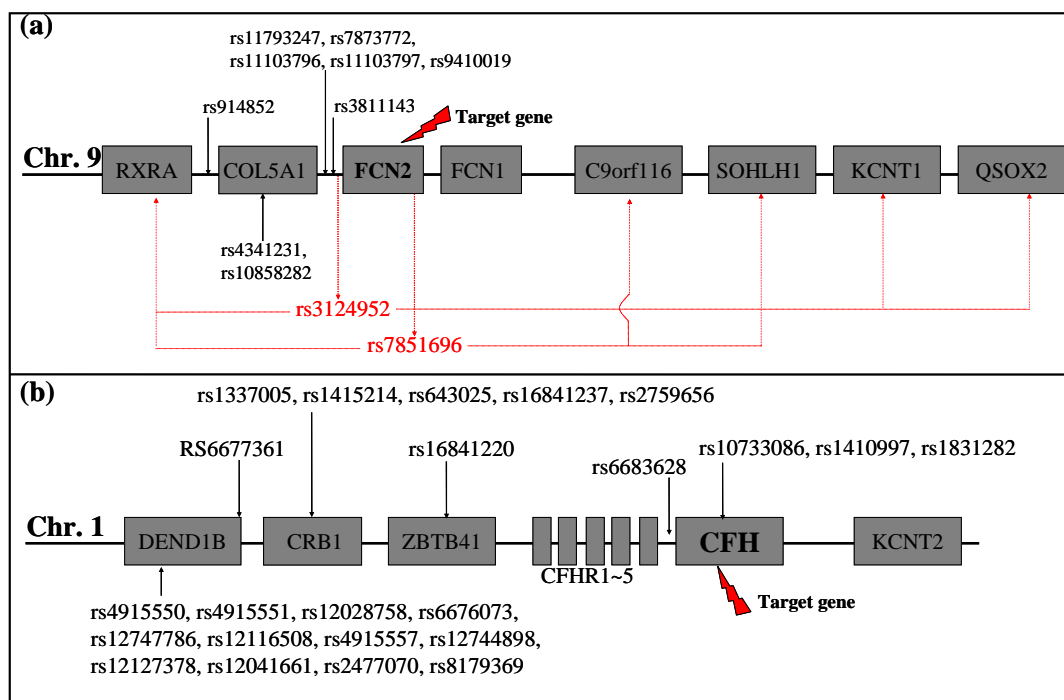


Fig. S3 Expression quantitative trait loci (eQTL) for the *FCN2* gene (a) and the *CFH* gene (b). Those SNPs marked by black arrows indicate eQTLs for the *FCN2* gene and the *CFH* gene, respectively. These nearby genes marked by red arrows were targeted by the *FCN2* SNPs rs3124952 and rs7851696 as eQTLs. For the *MBL2* gene, its eQTLs were located far from the gene. The sketches were based on data retrieved from Genevar (<http://www.sanger.ac.uk/resources/software/genevar/>).

Online Supplementary Materials

References

- Boldt AB, Sanchez MI, Stahlke ER, Steffensen R, Thiel S, Jensenius JC, Prevedello FC, Mira MT, Kun JF, Messias-Reason IJ (2012) Susceptibility to leprosy is associated with M-ficolin polymorphisms. *J Clin Immunol*
- de Messias-Reason I, Kremsner PG, Kun JF (2009) Functional haplotypes that produce normal ficolin-2 levels protect against clinical leprosy. *J Infect Dis* 199: 801-4
- de Messias-Reason IJ, Boldt AB, Moraes Braga AC, Von Rosen Seeling Stahlke E, Dornelles L, Pereira-Ferrari L, Kremsner PG, Kun JF (2007) The association between mannan-binding lectin gene polymorphism and clinical leprosy: new insight into an old paradigm. *J Infect Dis* 196: 1379-85
- Dornelles LN, Pereira-Ferrari L, Messias-Reason I (2006) Mannan-binding lectin plasma levels in leprosy: deficiency confers protection against the lepromatous but not the tuberculoid forms. *Clin Exp Immunol* 145: 463-8
- Fitness J, Floyd S, Warndorff DK, Sichali L, Mwaungulu L, Crampin AC, Fine PE, Hill AV (2004) Large-scale candidate gene study of leprosy susceptibility in the Karonga district of northern Malawi. *Am J Trop Med Hyg* 71: 330-40
- Gomes GI, Nahn EP, Jr., Santos RK, Da Silva WD, Kipnis TL (2008) The functional state of the complement system in leprosy. *Am J Trop Med Hyg* 78: 605-10
- Launois P, Niang M, Dieye A, Sarthou JL, Rivier F, Millan J (1992) Human phagocyte respiratory burst by *Mycobacterium bovis* BCG and *M. leprae*: functional activation by BCG is mediated by complement and its receptors on monocytes. *Int J Lepr Other Mycobact Dis* 60: 225-33
- Parkash O, Katoch K, Sengupta U (1990) Terminal complement complex in plasma of leprosy patients. *Acta Leprol* 7: 221-4
- Ramanathan VD, Thyagi P, Ramanathan U, Katoch K, Ramu G (1998) A sequential study of circulating immune complexes, complement and immunoglobulins in borderline tuberculoid leprosy patients with and without reactions. *Indian J Lepr* 70: 153-60
- Rojas-Espinosa O, Oltra A, Arce P, Mendez P (1991) Inhibition of complement activity in murine leprosy. *Int J Lepr Other Mycobact Dis* 59: 605-12
- Saha K, Chakraborty AK (1977) Serum complement profile in human leprosy and its comparison with immune complex diseases. *Int J Lepr Other Mycobact Dis* 45: 327-37
- Saha K, Sharma V, Chakraborty AK, Sehgal VN (1983) Breakdown product of factor B as an index of complement activation in lepromatous leprosy and its relation with bacillary load. *Scand J Immunol* 17: 37-43
- Sapkota BR, Macdonald M, Berrington WR, Misch EA, Ranjit C, Siddiqui MR, Kaplan G, Hawn TR (2010) Association of TNF, MBL, and VDR polymorphisms with leprosy phenotypes. *Hum Immunol* 71: 992-8
- Schlesinger LS, Horwitz MA (1990) Phagocytosis of leprosy bacilli is mediated by complement receptors CR1 and CR3 on human monocytes and complement component C3 in serum. *J Clin Invest* 85: 1304-14
- Srivastava LM, Agarwal DP, Goedde HW, Rohde R (1975) Biochemical, immunological and genetic studies in leprosy. II. Profile of immunoglobulins, complement components and C-reactive protein in sera of leprosy patients and healthy controls. *Tropenmed Parasitol* 26: 212-8
- Tyagi P, Ramanathan VD, Girdhar BK, Katoch K, Bhatia AS, Sengupta U (1990) Activation of

Online Supplementary Materials

complement by circulating immune complexes isolated from leprosy patients. *Int J Lepr Other Mycobact Dis* 58: 31-8

Vasconcelos LR, Fonseca JP, do Carmo RF, de Mendonca TF, Pereira VR, Lucena-Silva N, Pereira LM, Moura P, Cavalcanti Mdo S (2011) Mannose-binding lectin serum levels in patients with leprosy are influenced by age and MBL2 genotypes. *Int J Infect Dis* 15: e551-7